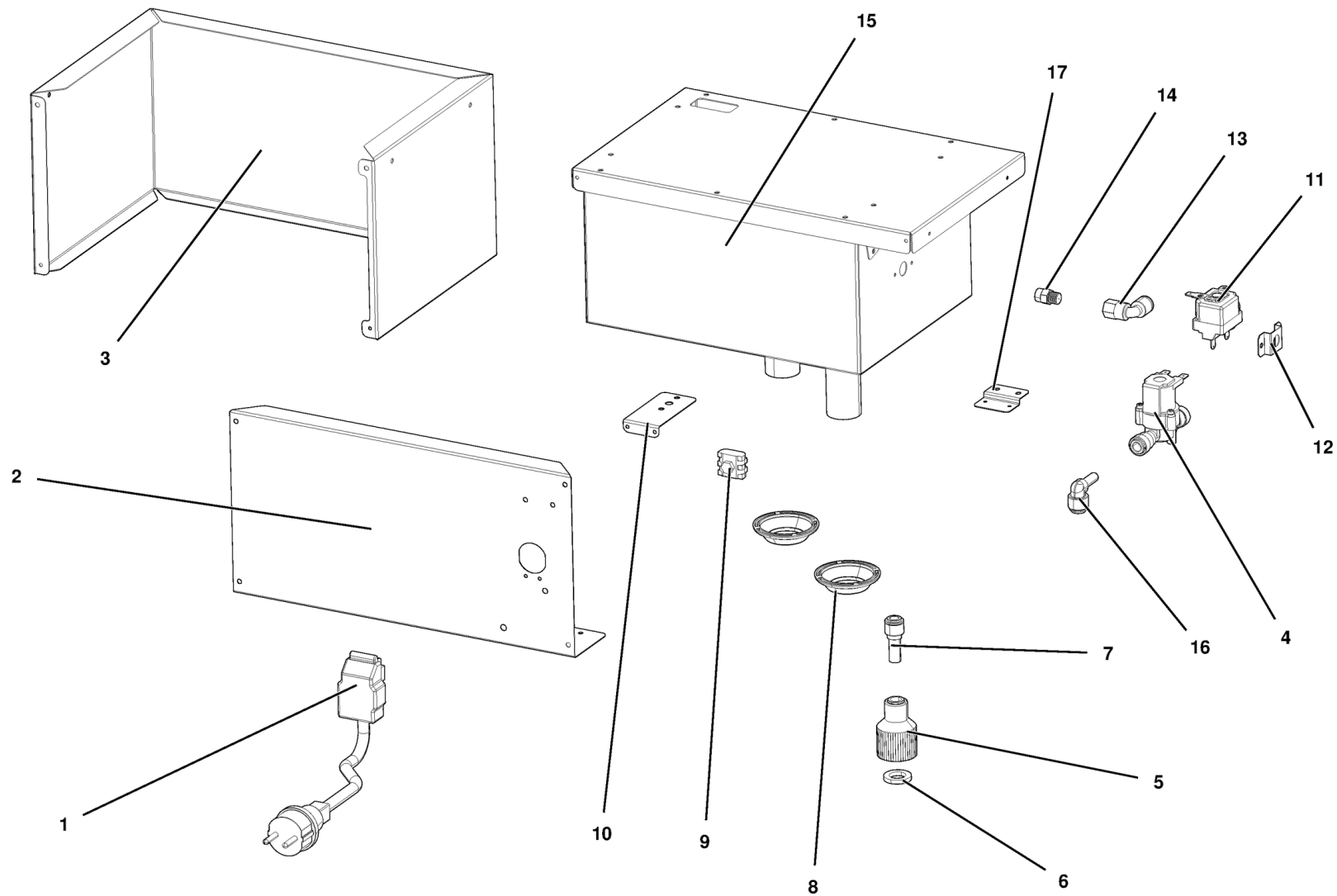


MOD:XC114



MOD:XC114



IT

Descrizione codici

1	MR1000A	CAVO 3X1,5 H07RN-F MT1,5+K2/3+SCHUKO
2	OD1565B	PROFILO PORTACOMPONENTI XC114
3	OH2945A	COPERTURA ESTERNA XC114
4	EL1411A	ELETTROVALVOLA H2O CON CHECK VALVE
5	RC1365A	RACCORDO JG FEMMINA 3/4"-10
6	GN1200A	GUARNIZIONE D=24 RACCORDO 3/4 GOMMA
7	RC1002A	RACCORDO RIDUZIONE CODOLO 10M-8F
8	VM2085A	ANELLO COVER SILICONE CAPPE
9	VM1750A	MORSETTIERA A PETTINE
10	OH3075A	STAFFA INOX TERMOSTATO XC114
11	TR1070A	TERMOSTATO 50°C CONTATTO A SCAMBIO
12	OH2425C	STAFFETTA SUPPORTO UGELLO
13	RC1286A	RACCORDO A GOMITO CON CODOLO D=8-D=1/8GA
14	BR1205B	UGELLO CONDENSATORE CORPO UNICO
15	OH2935B	SCATOLA CONDENSATORE XC114
16	EL1195B	RACCORDO GOMITO D8F-D8M
17	OH6913A	STAFFA FISSAGGIO ELETTROVALV XC114

EN

Codes descriptions

1	MR1000A	CABLE 3X1,5 H07RN-F MT1,5+K2/3+SCHUKO
2	OD1565B	XC114 ELECTRONIC COMPONENTS HOLDER
3	OH2945A	XC114 EXTERNAL COVER
4	EL1411A	SOLENOID VALVE WITH CHECK VALVE
5	RC1365A	3/4"-10 JG FEMALE CONNECTION
6	GN1200A	3/4 CONNECTION SEAL D=24 RUBBER+NET
7	RC1002A	10M-8F J.G. TERMINAL REDUCTION FITTING
8	VM2085A	HOOD COVER SILICON RING
9	VM1750A	TERMINAL BOARD
10	OH3075A	XC114 THERMOSTAT BRACKET
11	TR1070A	50°C THERMOSTAT
12	OH2425C	NOZZLE HOLDING BRACKET
13	RC1286A	D=8-D=1/8GA ELBOW FITTING+ J.G. TERMINAL
14	BR1205B	HOOD CONDENSER SOLE SHAPE NOZZLE
15	OH2935B	HOOD CONDENSER BOX
16	EL1195B	D8F-D8M ELBOW CONNECTION
17	OH6913A	XC114 SOLENOID VALVE FIXING BRACKET